



The DX HUNTER

MARCH 17

MDXA CLUB INFO

**MEETINGS: 2nd SATURDAY OF EACH MONTH
7:30 AM @ GOLDEN CORRAL HWY 49
GULFPORT**

MDXA WEBSITE: MDXA.org

Net Frequency: 147.375 Tuesday @ 8:00 PM

Editor E-mail: KE4MBP@GMAIL.COM

“More than a Club – We are Friends”

CLUB NEWS

Magnolia DX Association 2017 Calendar

February	Program TBD
March	Program: Logging Software Megin Murphy, K5IJ Mississippi Bicentennial Celebration*
April	Program: Working a pile up Howard Thickman, KE4MBP MS QSO Party
May	Obtaining a Vanity Call sign Vic West, N5YY Field Day 2017 Preparation Howard Thickman Armed Forces Day on the Air
June	Field Day 2017, Success Community Center Radio Merit Badge, Camp Tiak
July	Colonies on the Air, July 4 th week IOTA, Gulf Islands National Seashore, Ship Island
August	Program: TBD

September	Useful Kits for Hams Bill Breeden, NA5DX Route 66 Contest
October	Propagation and the radio signals Vic West, N5YY
November	Election of Officers
December	Annual Meeting and Dinner

* Mississippi Bicentennial Celebration activity open through December 31, 2017. See MDXA website for additional information.

The Station Notebook

By Wayne Greaves, W0ZW

Last month I presented Wayne's article on the need and use of a Station Notebook. I indicated I would show you mine from my DX/Contest Station in Chattanooga. This station started with a single ground mounted vertical and a single HF radio (1994). It progressed and grew to its final life with multiple HF and FM radios, a 40' tower with a five band seven element beam along with 6 meter beam and vertical, 40 meter wire and a 80 and 160 meter shorty sloper (2009).

To keep track of the constant changes in radio equipment and wiring my 'notebook' became really invaluable.

On the following pages you will see my complete layout and wiring diagrams. I know I am a little "nit-picky" so you don't need to take it to my level but at 2AM in the middle of a contest and something goes wrong your brain may not work to well but the notebook is always ready.

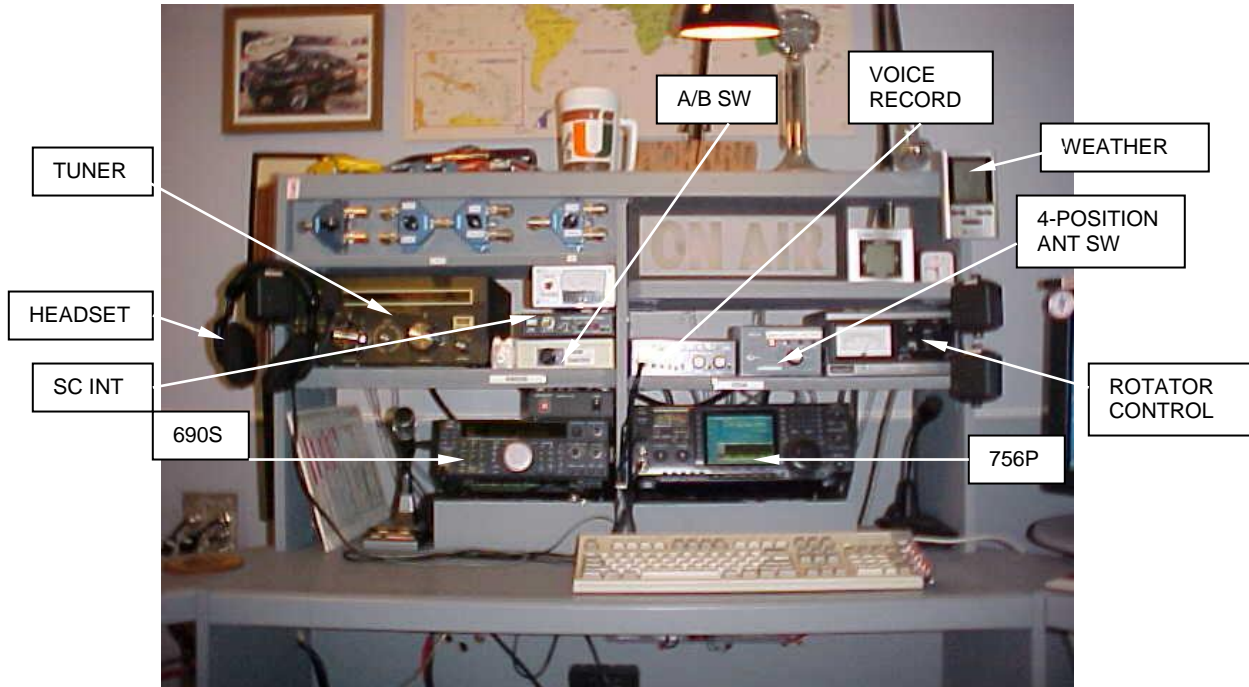
This DX/Contest Station from 1994 to 2009 worked over 16K contacts



The DX HUNTER

MARCH 17

MAIN OPERATING POSITION



OVERALL OPERATING DESK VIEW

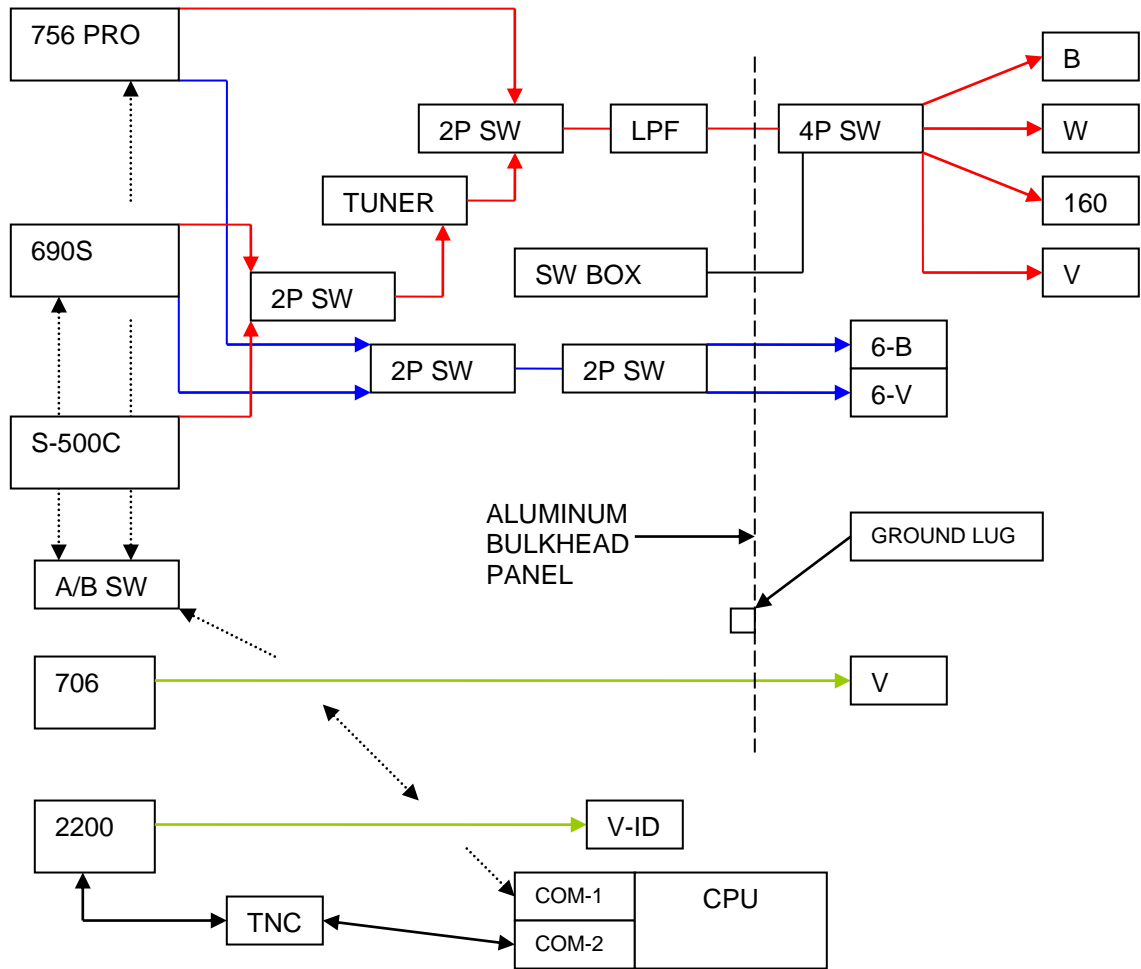




The DX HUNTER

MARCH 17

BASIC STATION COAX DIAGRAM

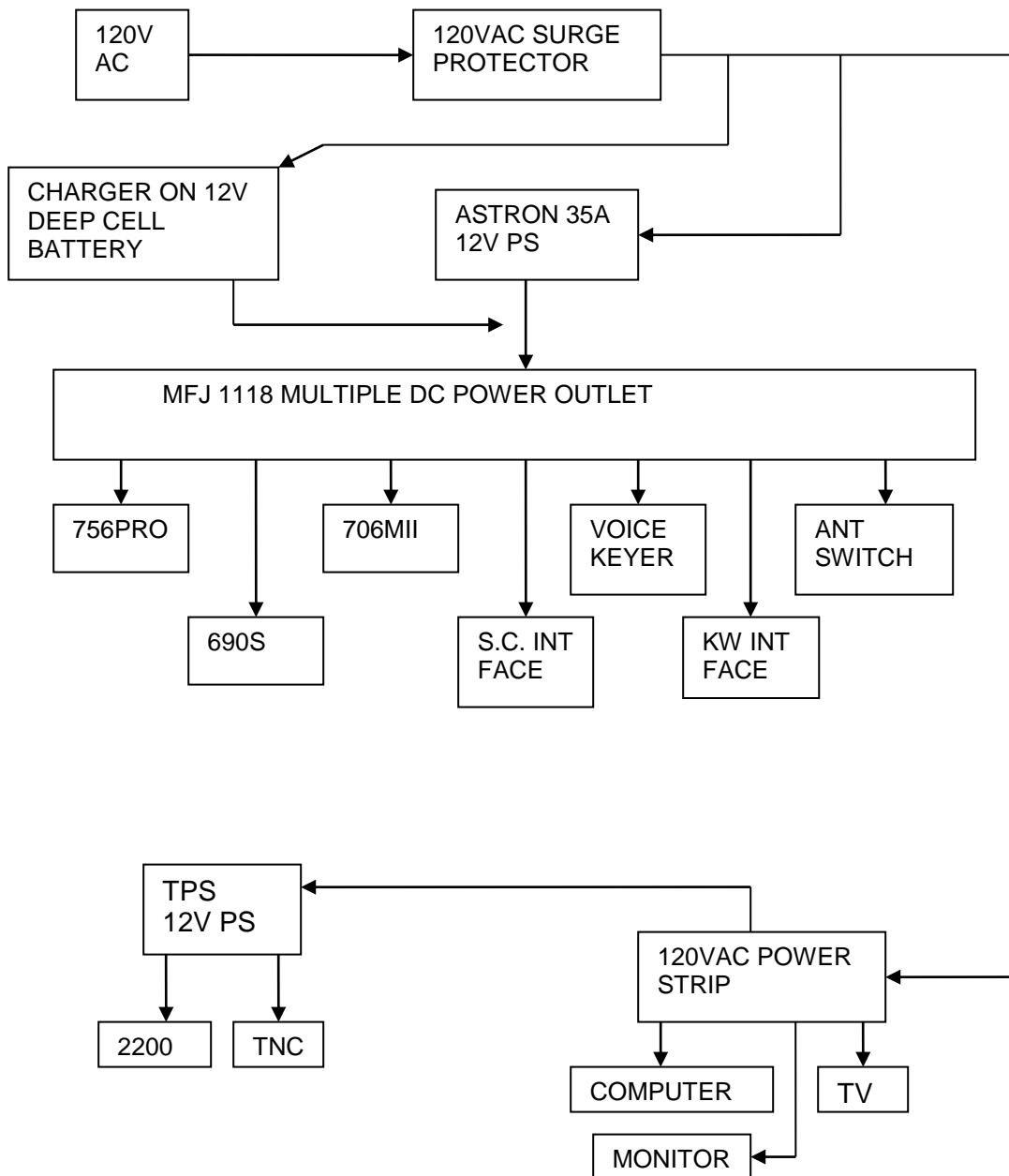




The DX HUNTER

MARCH 17

BASIC POWER ROUTING





The DX HUNTER

MARCH 17

ANNOUNCED DX OPERATIONS

March					
2017 Mar01	2017 Mar03	Guinea Bissau	J5UAP	LotW	By HA3AUI; 20-10m, other bands on request; CW; 100w; Spiderbeam; QSL also OK via HA3AUI direct; begin and end dates not clear
2017 Mar03	2017 Mar05	West Malaysia	9M4IOTA	9M2000	By Kuala Lumpur DX Team fm Tioman I (IOTA AS-046, Rompin District, Pahang); 80-10m; CW SSB + digital
2017 Mar04	2017 Mar11	Bahamas	C6APY	LotW	By M0VFC M0IDA M1ACB fm IOTA NA-054 (FL15do); mainly 40-15m; CW SSB; QSL also OK via M0OXO
2017 Mar07	2017 Mar10	Ogasawara	JD1BLY	JI5RPT	By JI5RPT fm Chichijima I (IOTA AS-031); 160-10m; CW SSB + digital
2017 Mar07	2017 Mar13	Barbados	8P9IF	G3PJT	By G3PJT; mainly CW; holiday style operation; QRV for BERU Contest; QSL also OK via Club Log
2017 Mar07	2017 Mar21	Ghana	9G5X	LotW	By G3XAQ G3VMW G4BWP 5B4AGN M0PCB G6MC fm 1,000 feet ASL; 160-10m; CW SSB RTTY; 3 high power stns; QSL also OK via M0OXO
2017 Mar08	2017 Mar20	Nepal	9N7EI	LotW	By EI2II EI2JD EI4GZB EI5GM EI5IQ EI5IX EI6FR EI9FBB EI9HQ EI9HX EI9KF; 80-10m; SSB CW + digital; 5 stations; QSL also OK via Web OQRS and M0OXO
2017 Mar09	2017 Mar13	Cayman Is	ZF2CA	LotW	By G4CWH fm Grand Cayman I; 160-10m; CW SSB; QSL also OK via G4CWH; QRV for RSGB BERU Contest
2017 Mar09	2017 Mar14	Belize	V31GX	LotW	By G4SGX fm near San Pedro; 80-10m; CW; 100w; vertical + inverted L; QSL also OK via G4SGX; QRV for BERU Contest
2017 Mar09	2017 Mar19	Ivory Coast	TU7C	LotW	By 12 op team fm Grand Bassam; 160-6m; CW SSB RTTY PSK; 5 stations; QSL also OK via F1ULQ (Buro or direct) and Web page OQRS
2017 Mar09	2017 Mar21	Niger	5U5R	LotW	By EA5RM EA1SA EA1RY EA5KM EA7AJR EA7KW F9IE HK6F IK5RUN IN3ZNR K3LP fm Niamey; 160 10m, also 5.360 MHz; SSB CW RTTY; QSL also OK via EA5RM
2017 Mar10	2017 Mar19	South Cook Is	E51KTA		By M1KTA fm Rarotonga I (IOTA OC-013); will try low bands; QRV for BERU Contest
2017 Mar14	2017 Apr04	Tuvalu	T2	LotW	By SP5EAQ as T2AQ and SP7DQR as T2QR fm IOTA OC-015; 80-10m; CW SSB RTTY; dates and call signs tentative; QSL also OK via SP7DQR
2017 Mar14	2017 Apr12	Tanzania	5H3MB	LotW	By IK2GZU fm Ilembula; 80-10m; SSB CW RTTY; spare time operation; QSL also OK via IK2GZU (Buro or direct), Club Log, eQSL



The DX HUNTER

MARCH 17

2017 Mar15	2017 Mar22	Ceuta & Melilla	EA9	LotW	By DJ6TF DL7DF DL7UFN DL7UFR as EA9/DL7DF; 160-10m; CW SSB RTTY; QSL also OK via DARC Buro or direct
2017 Mar15	2017 Mar21	Bangladesh	S21GM	YL2GN	By YL3CW YL2KA UT7UJ US7UX UT7U; 160-10m; CW SSB RTTY; QSL OK via Buro or direct, also Club Log
2017 Mar16	2017 Apr05	St Kitts & Nevis	V47JA	LotW	By W5JON fm Calypso Bay, St Kitts; 160-6m, incl 60m; SSB; yagi on 6m, verticals, dipole; QRV for CQWW WPX SSB; QSL also OK via W5JON direct
2017 Mar18	2017 Mar21	Ceuta & Melilla	EG9TOR	LotW	By EA4PN EA3NN EA3HSJ EA4GMX EA5UF EA4JJ EA3CV EA8ZT EA2CW fm Ceuta; CW; will use ED9T during King of Spain contest (Mar 20-21); QSL also OK via Club Log, eQSL, and EA4PN direct
2017 Mar18	2017 Apr01	St Kitts & Nevis	V47JR	W2APF	By W2APF fm Nevis I (IOTA NA-104); 80-10m; CW SSB; 100w; wires
2017 Mar19	2017 Apr03	Micronesia	V633KS	LotW	By JA6REX fm Chuuk I (IOTA OC-011); 160-10m; CW SSB RTTY; 1Kw; CrankIR, vertical, dipole; QSL also OK via JA6REX Buro or Club Log
2017 Mar20	2017 Mar21	Ceuta & Melilla	EA9	LotW	By JA0JHQ as EA9/JA0JHQ; mainly 17 15m, perhaps 20m; CW RTTY; 100w; micro vertical; QSL also OK via JA0JHQ (Buro or direct) and Club Log
2017 Mar20	2017 Mar24	Cayman Is	ZF2CJ	LotW	By JJ2RCJ fm ZF1A club station; 80-6m; mainly RTTY; QSL also OK via JJ2RCJ
2017 Mar20	2017 Mar27	Cayman Is	ZF2TC	LotW	By KE5TC and K5QBX; 40-10m; SSB + slow CW; 100w; vertical + longwire; holiday style operation; QSL also OK via KE5TC direct
2017 Mar21	2017 Mar27	Bangladesh	S21KW	YL2GN	By YL3CW YL2KA UT7UJ US7UX UT7U; 160-10m; CW SSB RTTY; QSL OK via Buro or direct, also Club Log
2017 Mar22	2017 Mar28	Tonga	A35JP/p	LotW	By JA0RQV fm Niaufu'ou I (IOTA OC-123); 40-6m; CW SSB; 100w; vertical, VDA; QSL also OK via JA0RQV (Buro or direct w/ SASE) and Club Log
2017 Mar22	2017 Mar29	Albania	ZA	PA2LS	By PE1KL, PD5LKM, PA2LS; 160-2m; SSB CW PSK RTTY; QSL OK via PA Buro or direct; QRV for CQ WPX SSB
2017 Mar29	2017 Apr10	Guam	KH2BY	LotW	By EA5BY; 80-6m, incl 60m; QSL also OK via EA5BY and Club Log
2017 Mar29	2017 Apr17	Guam	AH2P	LotW	By EA4AK; QRV on most needed bands and modes; auto-QSL via Buro, QSL also OK via Club Log, eQSL



The DX HUNTER

MARCH 17

CONTESTING NEWS

MARCH

4-5 Sat 0000 - Sun 2359

ARRL International DX Contest - SSB

(You can work 100 countries in this contest weekend)

11-12 Sat 1400 - Sun 0200

Oklahoma QSO Party (1) - CW/Digital/SSB

11-12 Sat 1900 - Sun 1900

Idaho QSO Party - CW/Digital/Phone

12 Sun 1400 - 2000

Oklahoma QSO Party (2) - CW/Digital/SSB

12-13 Sun 1800 - Mon 0100

Wisconsin QSO Party - CW/SSB

18-19 Sat 1400 - Sun 0200

Louisiana QSO Party - CW/Digital/Phone

18-19 Sat 1400 - Sun 0200

Virginia QSO Party (1) - CW/Digital/SSB

19 Sun 1200 - 2400

Virginia QSO Party (2) - CW/Digital/SSB

25-26 Sat 0000 - Sun 2359

CQ WW WPX Contest - SSB

(You can work 100 countries in this contest weekend)

If you have info or articles you would like in the Newsletter, e-mail them to me and I will get them published.

K1AR CONTESTING HINT

Here's an idea for that 2nd VFO in your transceiver. When you're in "search and pounce" mode, try searching with both VFOs. While waiting to work one station on VFO "A", you can use that idle time to find another needed QSO with the second VFO. Try tuning up from the bottom with one and down from the top of the band with the other. If you are using a multi-band antenna, you can even try this technique across two different bands!